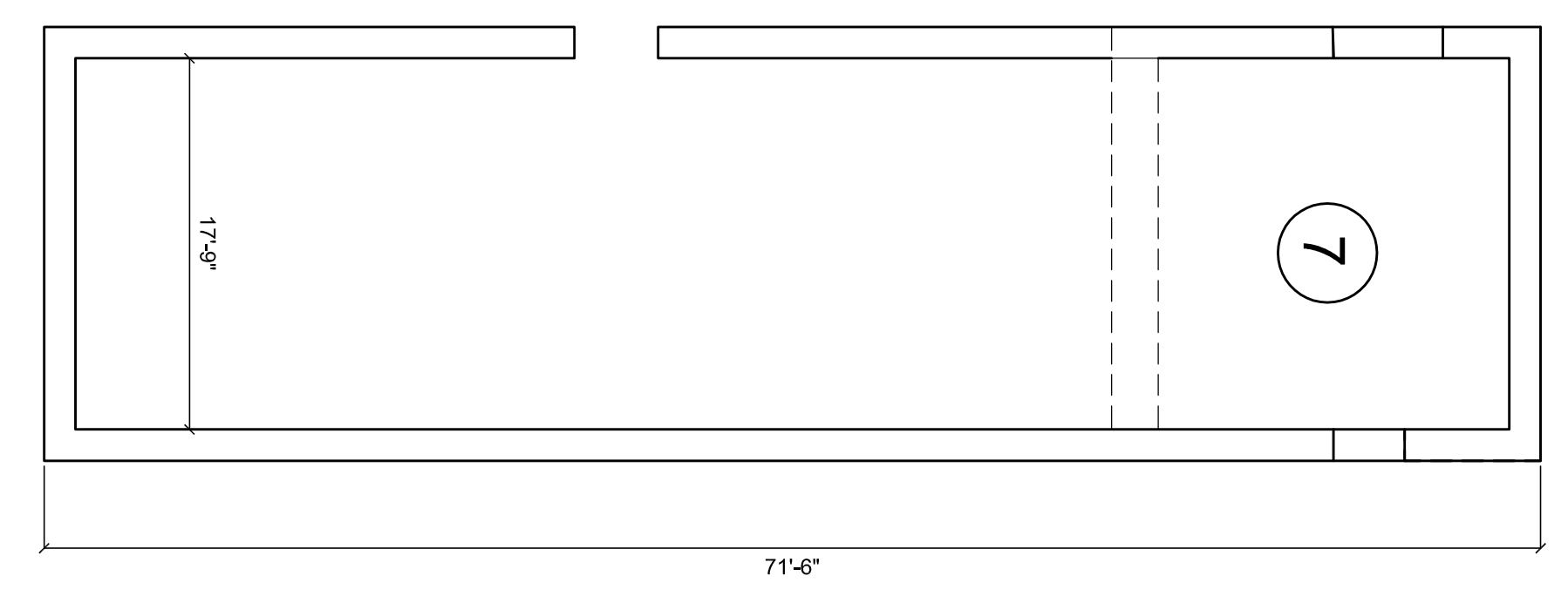
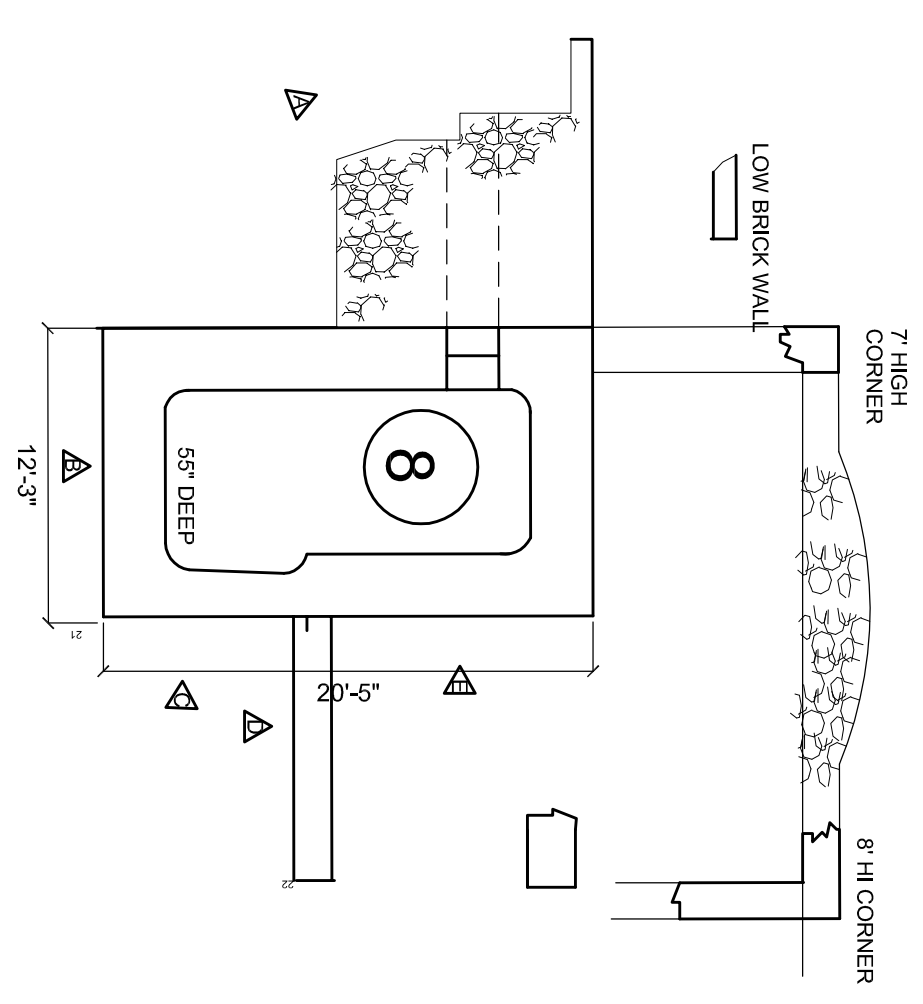
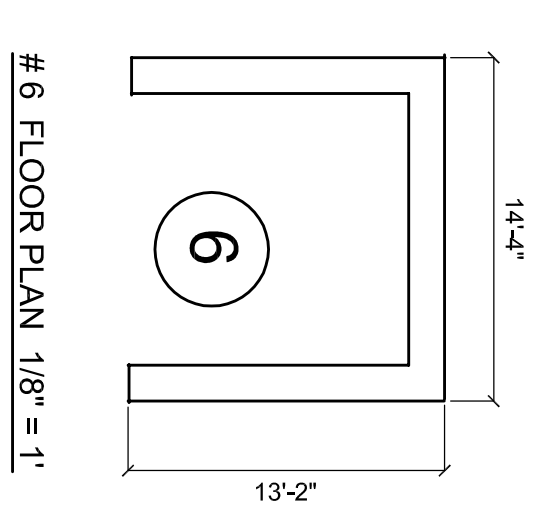
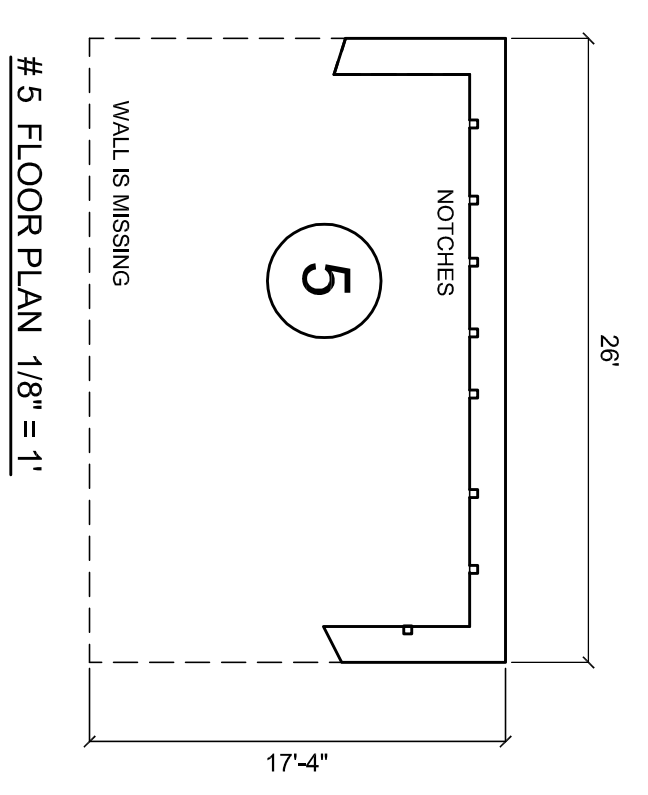
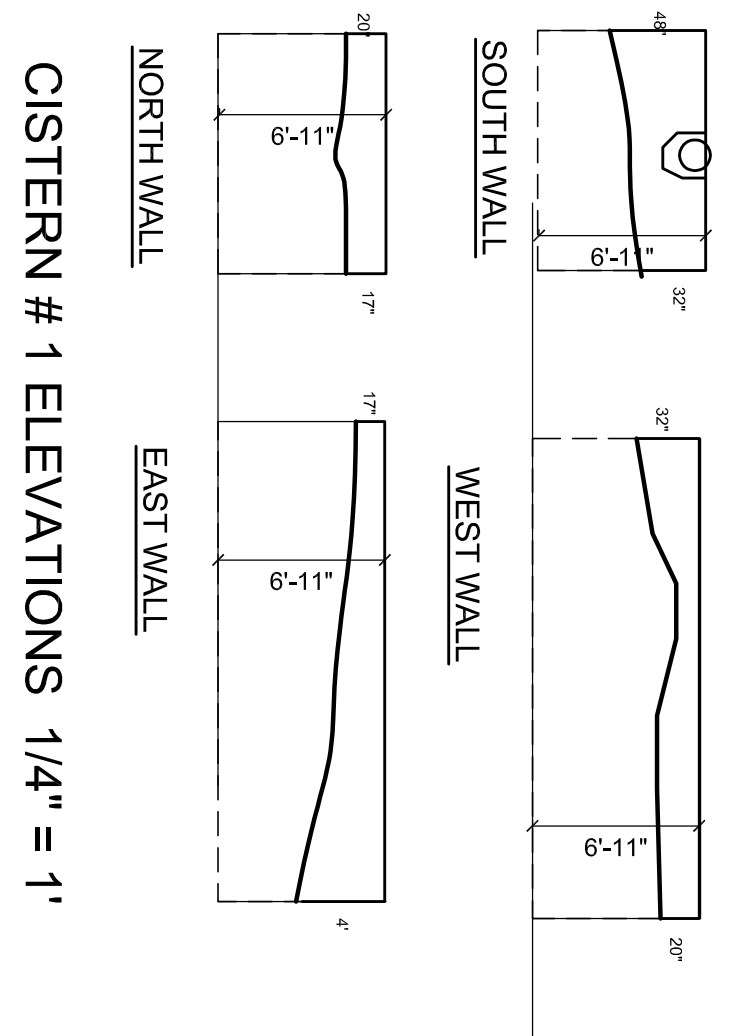
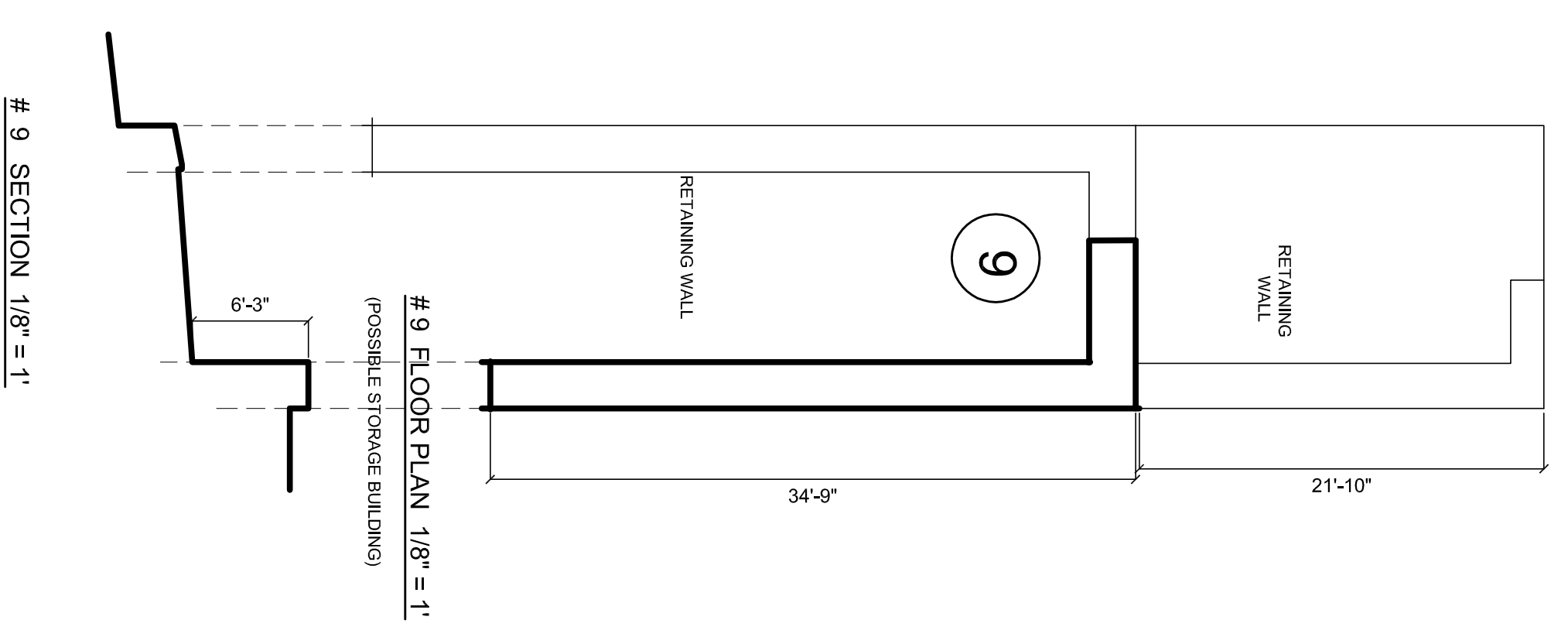
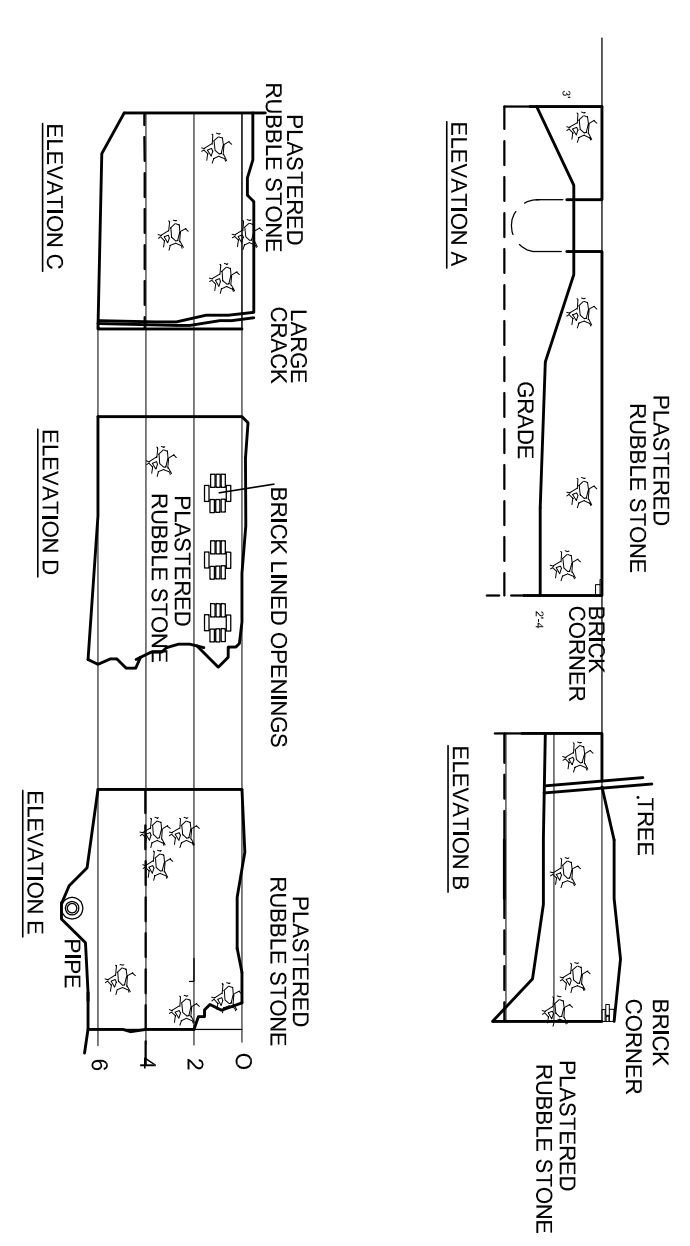


# 1, 2, 4 FLOOR PLAN 1/8" = 1'  
(CISTERN, FACTORY AND CISTERN)



# 7 FLOOR PLAN 1/8" = 1'  
(POSSIBLE WAREHOUSE)



# 9 SECTION 1/8" = 1'

# RUSTENBERG ST JOHN, USVI

PREPARED BY CARIBBEAN VOLUNTEER EXPEDITIONS  
 BOX 388 CORNING NY 14830 www.cvexp.org  
 2007 2008